



Transparent Wide-Range Antenna

Clear plexiglass design that creates the sense of a more open space and blends into any retail environment

Each antenna is a stand-alone unit that can be used alone or together with other Stargate antennas

Thanks to its wide detection range, one antenna can cover the whole entrance depending on the aisle width

Suitable both for shops with limited entrance space and for shops with larger entrances

Stargate Plexi Clear

Key Features

- Stand-alone antenna
- Attractive clear plexiglass design
- Jammer alarm
- One electronic box operates up to six antennas

Options

- Antenna protection
- Stargate Xtenders can be used when up to 20cm extra detection range is required





Stargate Plexi Clear

High-Quality Hard Tags and Labels

Gateway offers a full range of high-quality hard tags and labels, specially designed for our systems. Find our complete range in the Gateway Consumables product brochure!

Electronic Box

All AM (acousto-magnetic) antennas operate with an electronic box. The standard configuration per electronic box is three antennas. However, depending on the design of the store, up to six antennas can be connected to one box.



Creates the sense of a more open space



Blends into any retail environment

Authorised Dealer:

Specifications

| | |
|--------------------|------------|
| Art. no. | 8003v3 |
| Width | 430mm |
| Height | 1576mm |
| Thickness | 20mm |
| Thickness at base | 136mm |
| Weight | 21 kg |
| Standard frequency | 58kHz |
| Colour | Plexiglass |
| Approvals | CE, FCC |

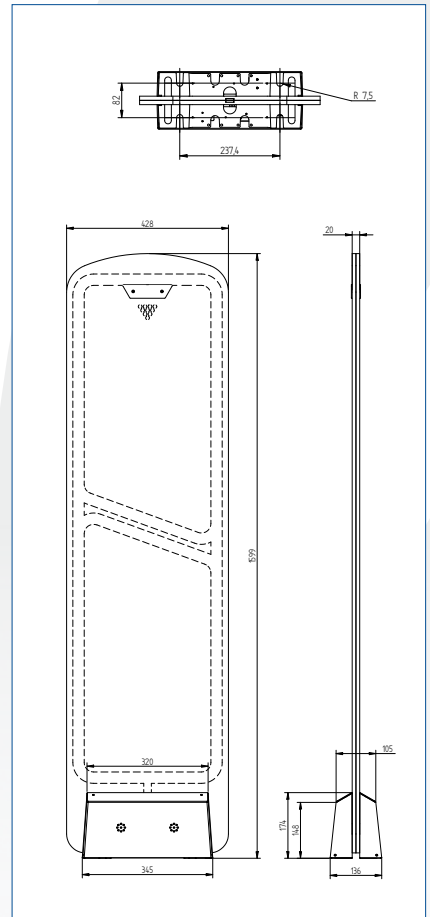
Detection Range^{1) 2)} Up to

| | |
|--------------|-------|
| AM Label | 0.80m |
| Polar Tag AM | 0.90m |
| A3 Tag AM | 1.30m |

¹⁾ Detection range on each side of antenna

²⁾ Tested with Gateway tags in different orientations.

Effective rate of detection is influenced by the store environment.



GWGB-4011-R2



www.gateway-security.com

Gunnebo Gateway AB is a Swedish supplier of anti-theft systems for the retail sector worldwide. We are the only company to develop, manufacture and market solutions built on every existing form of Electronic Article Surveillance (EAS) technology.

